

SlimLine 38

Doors



Reynaers
Aluminium

Windows.
Doors.
Façades.

Together for better

www.reynaers.com

Ultra-slim and elegant design

With SlimLine 38, you have always got a slender door solution at hand. The ultraslim system comes in multiple design variants and offers refined quality in every detail.

Perfect for both minimalistic new-builds and renovation projects, the timeless steel look design blends perfectly with any architectural style.

Variants such as balcony doors or terrace doors with optional triple glazing and burglarproof performance (RC2 / PAS 24), help you reach today's safety and energy efficiency standards.

In fact, SlimLine 38 is both an elegant and eco-friendly system. Experience low-carbon, Cradle To Cradle® certified quality whenever you open or close this aluminium door solution.



Futureproof and durable product.

As less material is needed to create the slender yet sturdy doors, SlimLine 38s carbon footprint is remarkably low. Moreover, the futureproof doors are 100% recyclable and feature high-insulation variants to meet all of your low-energy building needs. Choose ultraslim design without compromising on quality nor comfort.

Slim steel-look design.

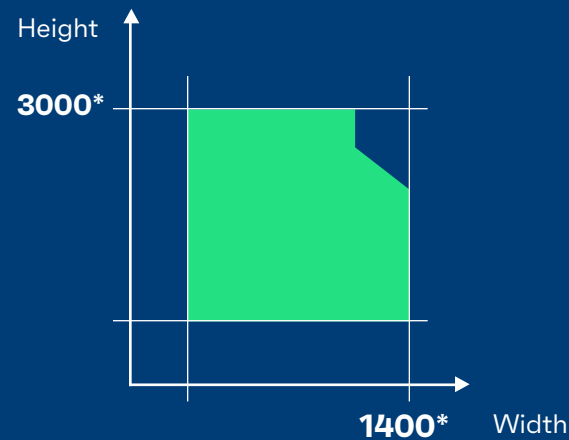
SlimLine 38 doors combine timeless steel-look design with all the benefits of aluminium profiles. Outstanding performance, slim aesthetics, and fast production speed: it is the perfect solution for all kinds of (renovation) projects. The Classic and Ferro design variants, together with the system's various opening types, allow you to add a personal touch to your choice of high-quality joinery.

Crisp, high-quality finishing in every detail.

High quality design is most visible in the finest of details. For SlimLine 38, this means all hardware, including hinges and drainage options, is subtly concealed inside the ultraslim profiles. What is more, the door system comes with multiple threshold solutions to combine elegant design with pure practicality. Enjoy real show-stopping craftsmanship with refined doors of up to 3 metres in height.

SlimLine 38 Doors General

Possible vent sizes (mm)



*Max dimensions depend on multiple parameters including wind load requirements and glass type choice.

Possible vent weights (kg)



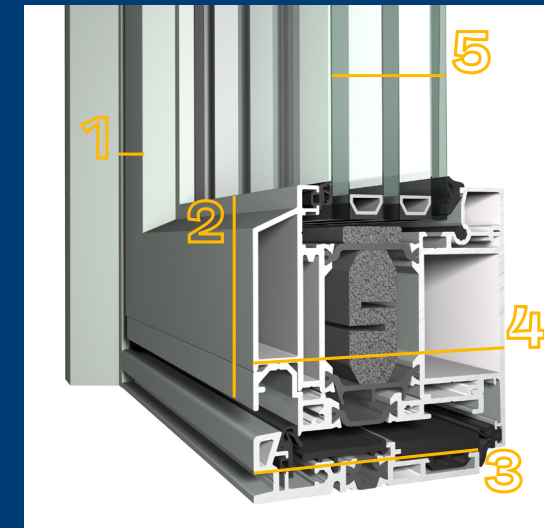
Turn door

130

Visible dimensions (mm)

Inward opening door

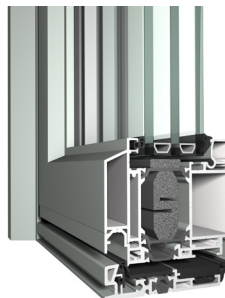
1	Min. frame width	38
2	Min. vent width	21
3	Frame depth	76 or 99
4	Vent depth	86
5	Glass thickness	Up to 55



SlimLine 38 Doors Variants

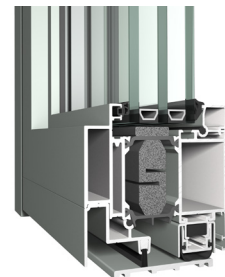
SlimLine 38 Terrace Door

Thermal value - Uf (W/m²K)	Down to 1.6
Water tightness	9A (600 Pa)
Wind load resistance	C3 (1200 Pa)
Burglarproof	RC2 (EN 1627)



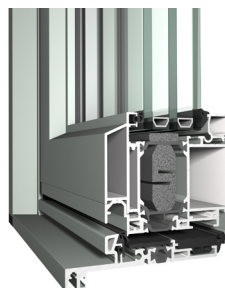
SlimLine 38 Zero Threshold Door

Thermal value - Uf (W/m²K)	Down to 1.6
Water tightness	-
Wind load resistance	-
Burglarproof	-

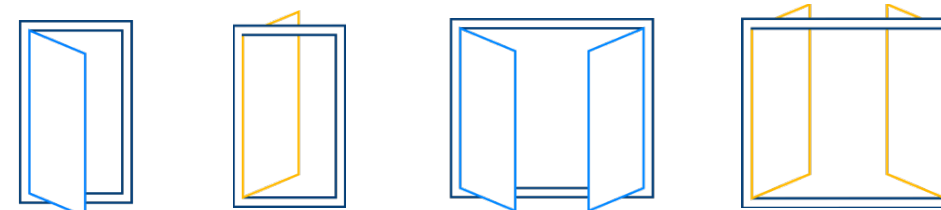


SlimLine 38 Entrance Door

Thermal value - Uf (W/m²K)	Down to 1.6
Water tightness	5A (200 Pa)
Wind load resistance	C3 (1200 Pa)
Burglarproof	RC2 (EN 1627) / PAS 24



More variants can be found on our website...



**Performances and properties depend on size, profile combinations, hardware and infill choices. Please contact your Reynaers Aluminium representative.

SlimLine 38 Doors Options



Concealed drainage

Thanks to this concealed drainage solution, you no longer need plastic cover caps to hide drainage holes. As a result, you always enjoy clean lines, minimalistic design, and excellent performance as the water flows away.



Panic solution

In some public buildings, a quick and safe escape route should always be available. These doors are equipped with anti-panic technology to guarantee secure passage in dangerous situations.



Low threshold

By reducing the height of the threshold, you can offer clear access at all times. Limit tripping hazards while establishing a clean and attractive look for your door.



Zero threshold

Creating inviting entryways and exits without boundaries has never been easier. This elegantly hidden threshold solution is the ideal match for your wheelchair-friendly building project, even with continuous flooring.



Design

You recognise minimalistic SlimLine 38 doors by their elegant and ultraslim look. Whether you choose its Classic, Ferro, or Functional design variant, the slim yet sturdy doors always create an aesthetic entryway for any building. The most recent update features an ultraslim door variant with an elegant in-glass lock plate. It is our slimmest vent profile in our entire door systems range.



Sustainability

SlimLine 38 doors are always a responsible choice. The Cradle To Cradle® certified system has a high insulation variant and features ultraslim profiles which require less aluminium to make. As a result, the doors have a lower embodied carbon level than most competitor systems. What is more, aluminium is 100% recyclable, which means you can re-use it an infinite amount of times without loss of quality.

Get in touch

Interested or looking for more in-depth technical information? Contact your Reynaers Aluminium representative for more information or scan the QR code to visit our website.

